
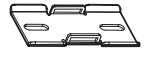
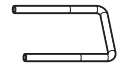


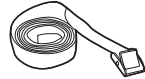

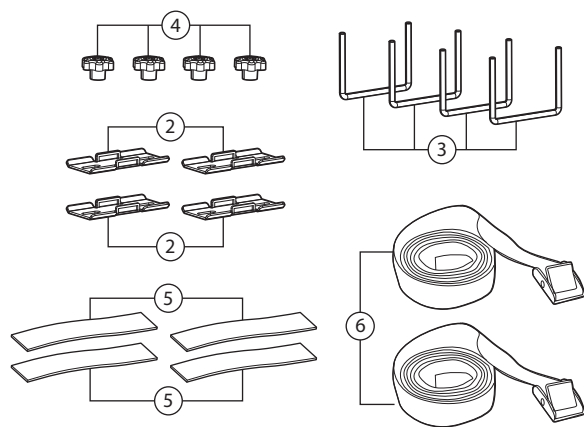
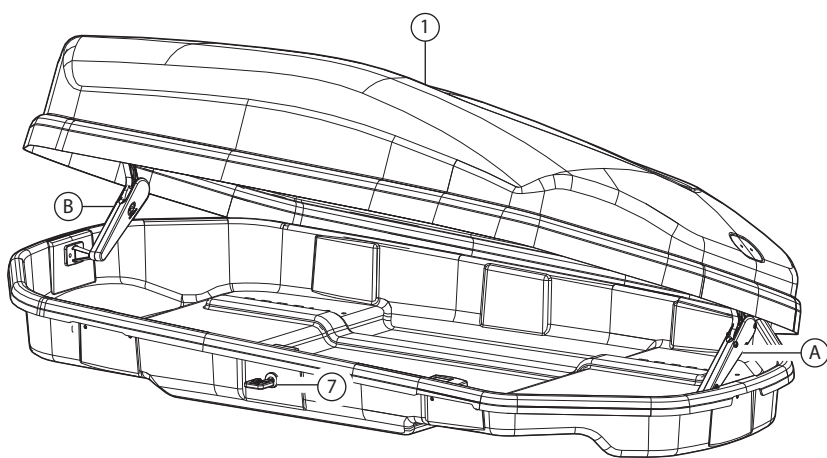
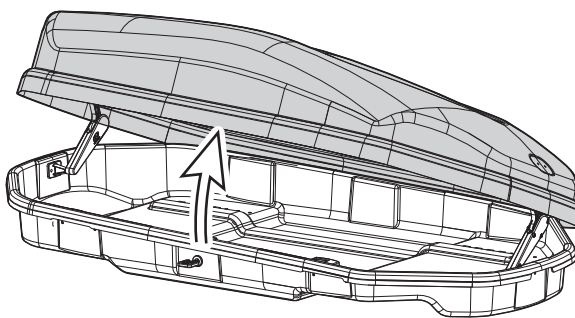
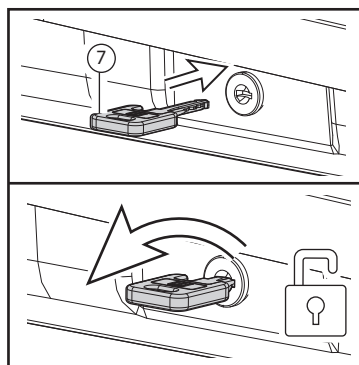


N	[IT]Componenti (Inclusi) [EN]Components (Included) [FR]Composants (Comprises) [DE]Die Komponenten (im Lieferumfang enthalten) [ES]Componentes (Incluido)	Q
1		1
2		4
3		4

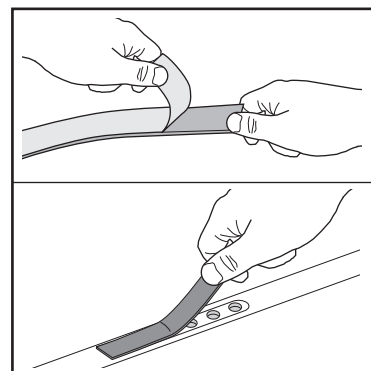
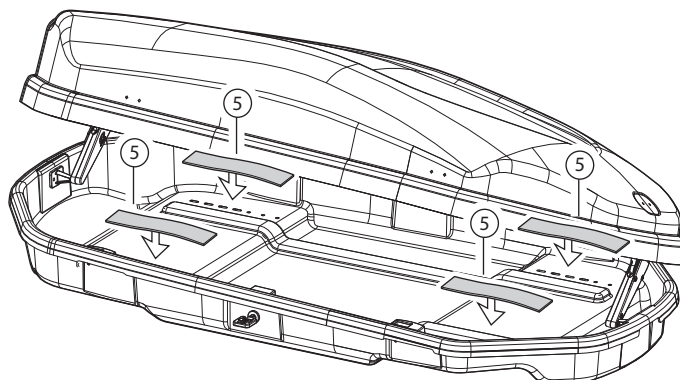
N	[IT]Componenti (Inclusi) [EN]Components (Included) [FR]Composants (Comprises) [DE]Die Komponenten (im Lieferumfang enthalten) [ES]Componentes (Incluido)	Q
4		8
5		4
6		2
7	 XXXX	2



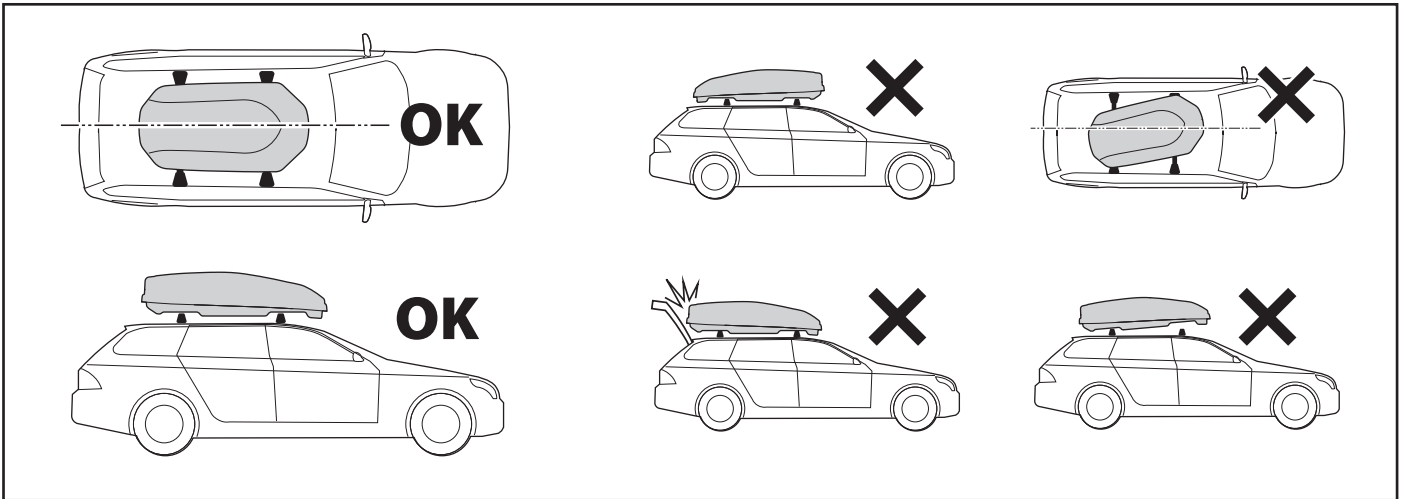
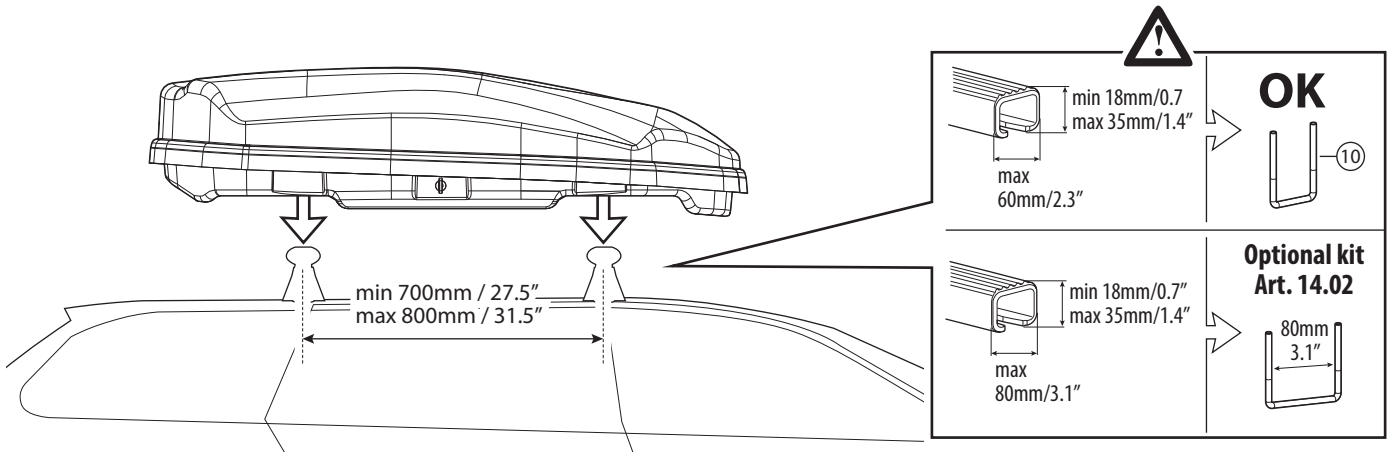
1



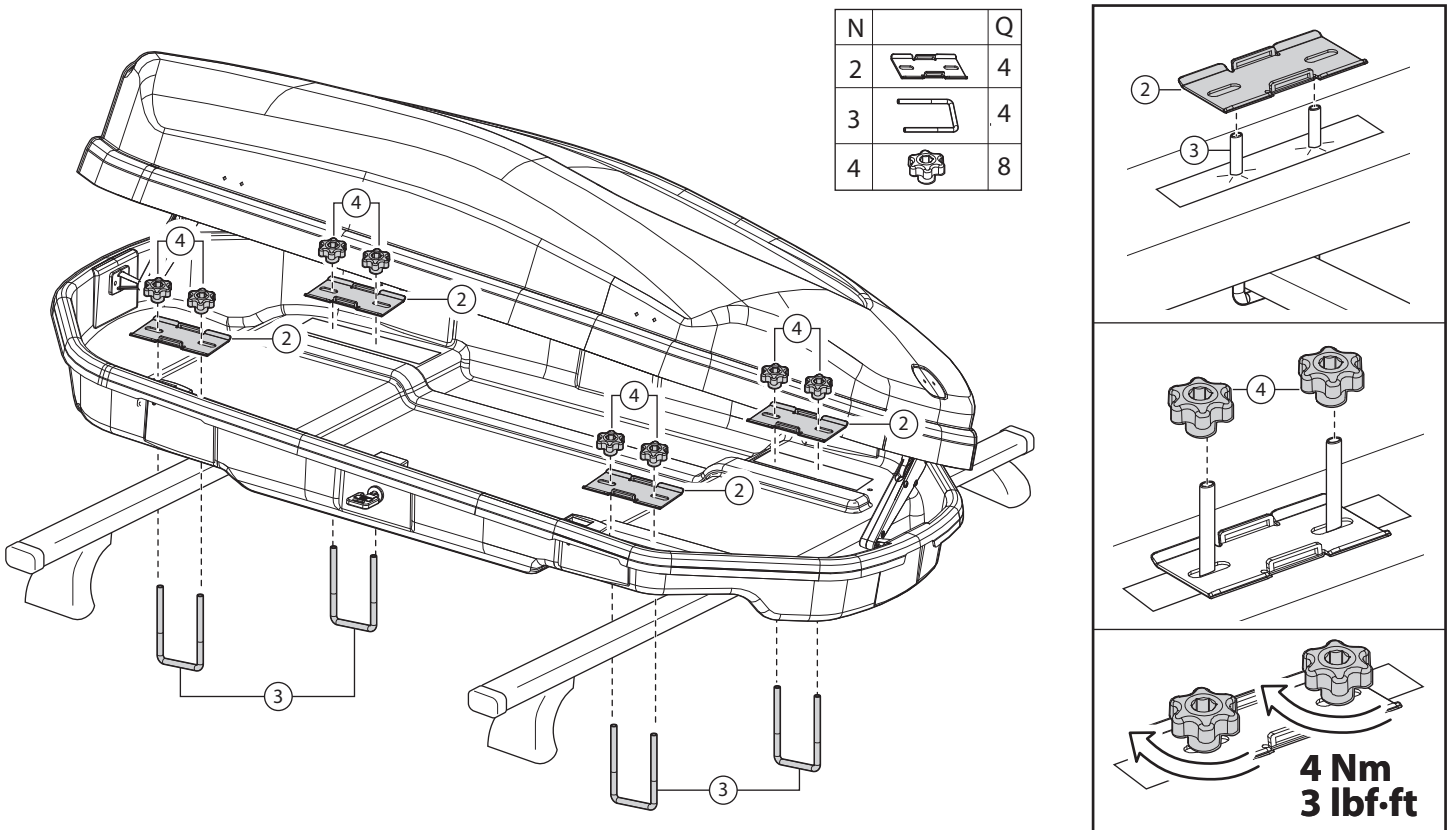
N	Q
5	4



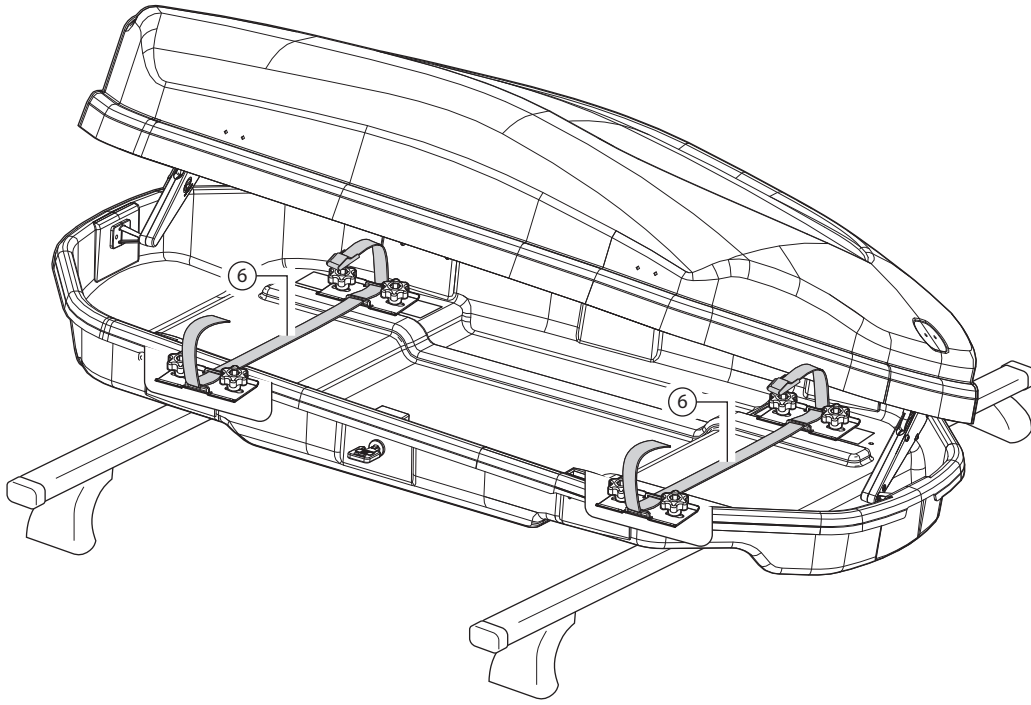
2




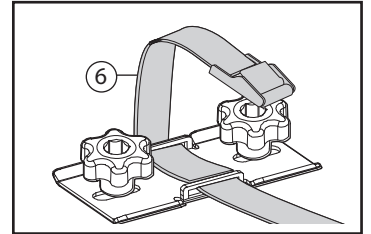
3



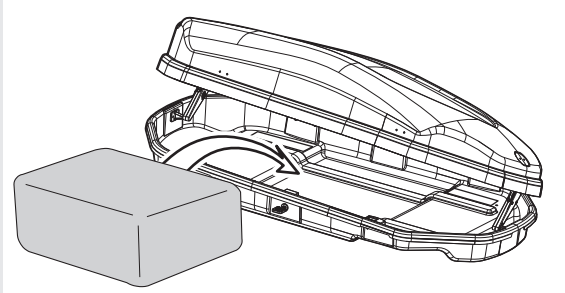
4







N		Q
6		2



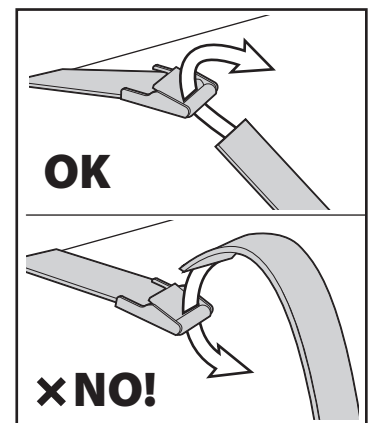
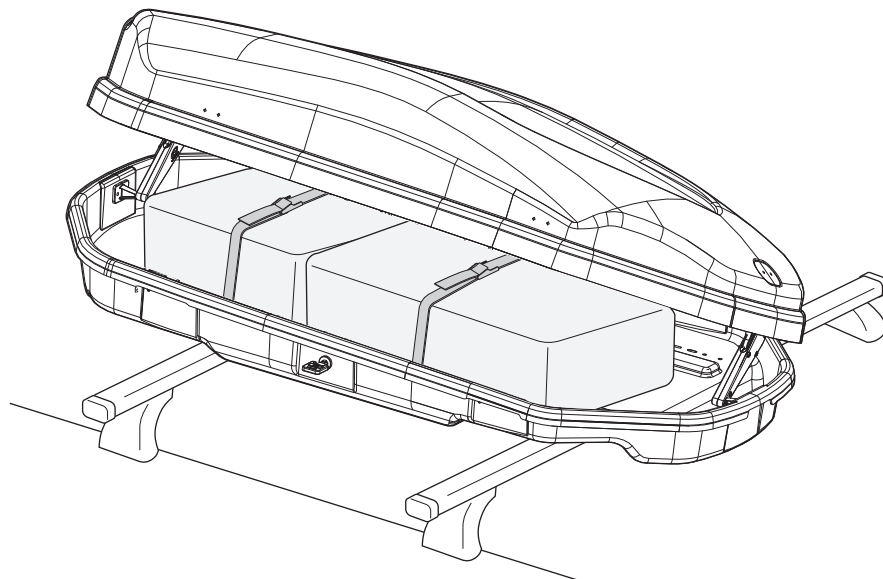
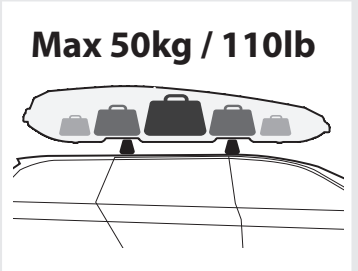
5

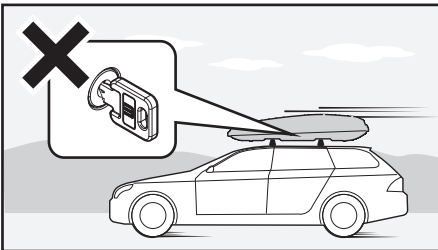
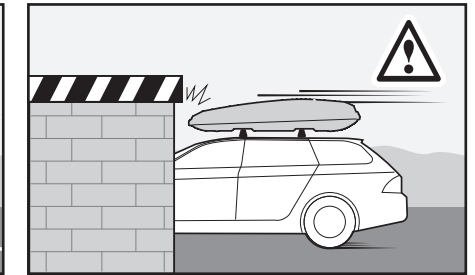
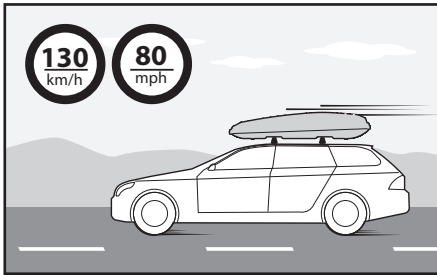
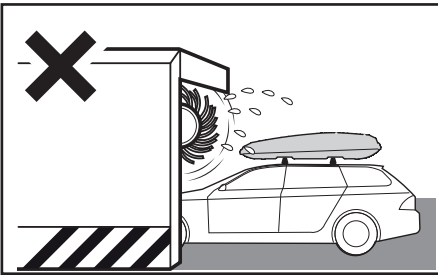
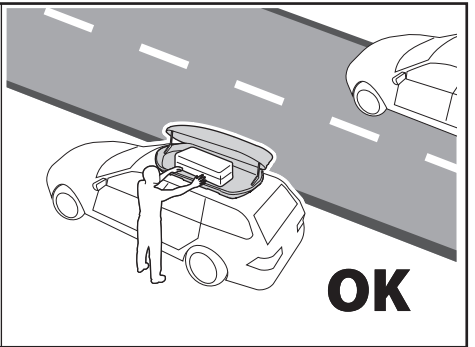
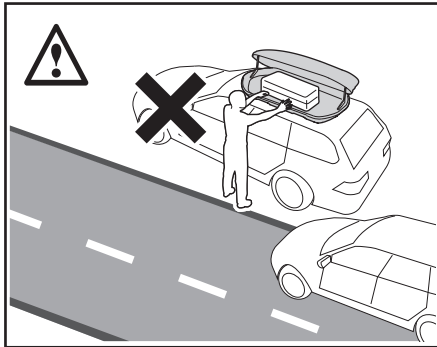
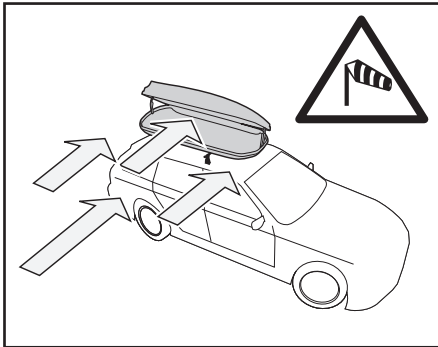
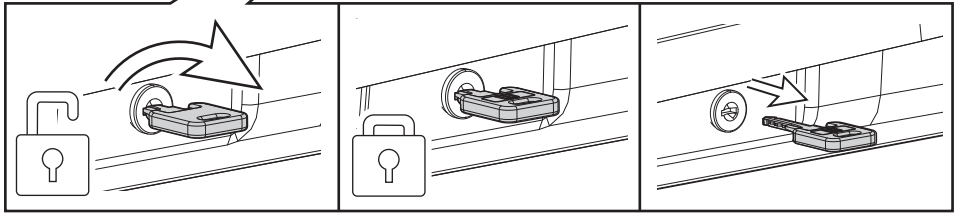
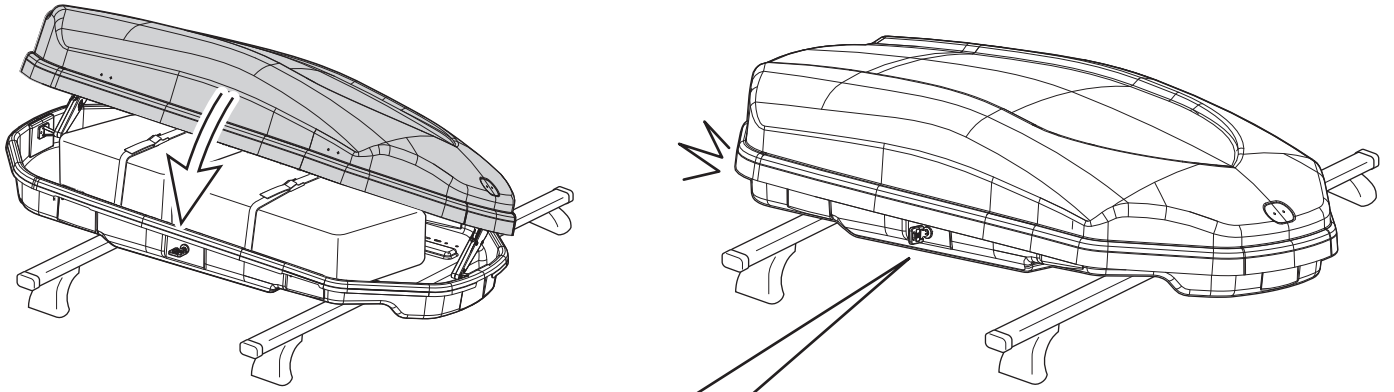


 **MAX LOADING =**

 +  +   
8,3kg / 18.3lb

**Max 50kg / 110lb**





**Optional kit Art. 14.01**

A: min 8,5mm  
B: 20mm

x4      x4      x4  
TQ 20x20    TQ 13x13

**Optional kit Art. 14.02**

min 18mm  
max 35mm

max 80mm

80mm  
x4